

KIT SERVOVENTILATO

SERVO-VENTILATED KIT



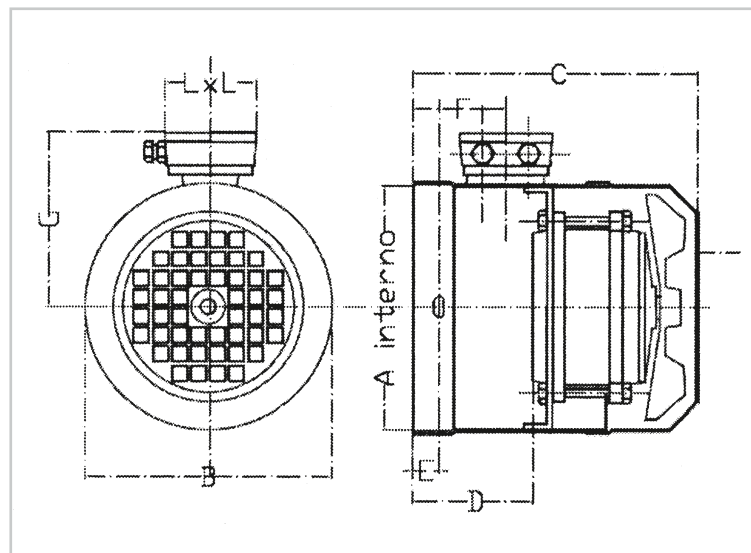
APPLICAZIONI PER RAFFREDDAMENTO

MOTORI ELETTRICI

MOTOR COOLING APPLICATION

KIT SERVOVENTILATO PER MOTORE TRIFASE CON E SENZA MORSETTIERA - IP55

SERVO-VENTILATED KIT FOR THREE-PHASE MOTOR WITH AND WITHOUT TERMINAL BOARD



INGOMBRI TRIFASI CON MORSETTIERA.

THREE-PHASE MOTOR OVERALL DIMENSIONS WITH TERMINAL BOARD.

MEC	Senza morsettiere Without terminal board	Con morsettiere With terminal board	A	B	C	D	E	F	G	LxL
	Articolo Article	Articolo Article								
63	CLE.63	CLF.63	121	123	168	43	10	50	117	100
71	CLE.71	CLF.71	136	138	178	50	10	50	124	100
80	CLE.80	CLF.80	153	155	185	55	10	55	133	100
90	CLE.90	CLF.90	174	176	190	62	15	60	143	100
100	CLE.100	CLF.100	192	194	200	68	15	60	153	100
112	CLE.112	CLF.112	218	220	220	88	15	60	166	100
132	CLE.132	CLF.132	255	257	250	105	15	65	185	100

MEC	Volt	Hz	Velocità nom. min/1 Nom. speed min/1	Poten. Kw Power Kw	Assorb. AMP Assorb. AMP	Port. aria m ³ /h Air flow m ³ /h
63	400	50/60	2850	0.06	0.10	250
71	400	50/60	2850	0.06	0.10	250
80	400	50/60	2850	0.12	0.18	300
90	400	50/60	2850	0.12	0.20	350
100	400	50/60	2850	0.12	0.20	400
112	400	50/60	2850	0.12	0.20	450
132	400	50/60	2850	0.12	0.22	550