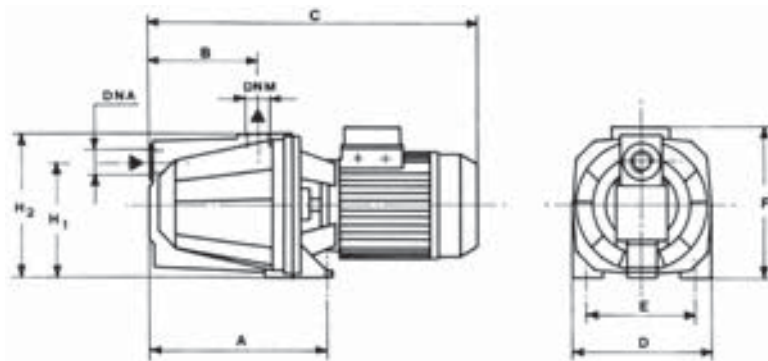
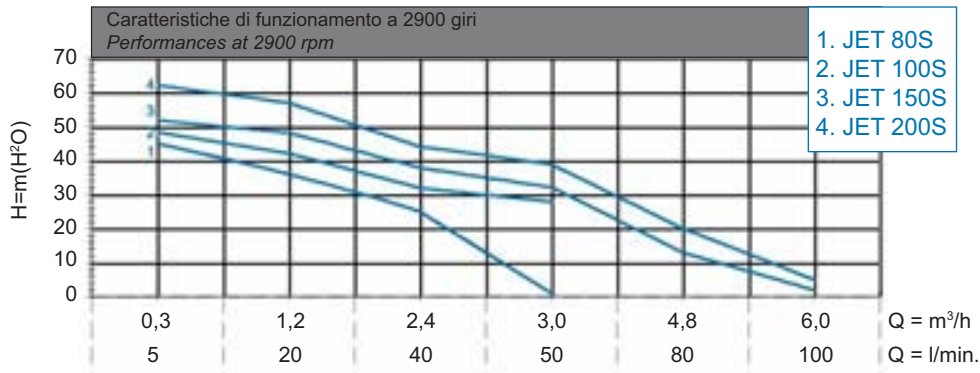


CARATTERISTICHE TECNICHE / TECHNICAL PERFORMANCES

Modello - Model	(kW)	(HP)	Ampere	Q (m³/h - l/min)										
				1ph 230V										
			0,3	1,2	2,4	3,0	4,8	6,0	H (m)					
JET 80S	0,6	0,8	4,0	45	36	25	1							
JET 100S	0,75	1,0	5,0	48	42	32	28							
JET 150S	1,1	1,5	9,0	52	48	38	32	13	2					
JET 200S	1,5	2,0	10,0	62	57	44	39	20	5					



Modello - Model	Dimensioni pompa Pump dimensions mm										Dimensioni imballo Packing dimensions mm			Peso Weight kg
	A	B	C	D	E	F	H1	H2	DNA	DNM	I	L	M	
JET 80S	230	140	420	180	140	195	152	185	1" G	1" G	440	200	225	16
JET 100S	230	140	420	180	140	195	152	185	1" G	1" G	440	200	225	17,6
JET 150S	300	170	500	210	170	220	180	220	1" 1/4 G	1" G	600	220	260	27,0
JET 200S	300	170	500	210	170	220	180	220	1" 1/4 G	1" G	600	220	260	27,8